

T80

LEAF TURNSTILE WITHOUT LOCK

Nickel Body

Market Turnstile

Stylish Design

One Way Control

Ease of Use

T80

LEAF TURNSTILE WITHOUT LOCK

The T 80 leaf turnstile provides one-way control for a simple and basic solution. With its simple solution, it is generally used in markets and in any indoor entrance and exit.

Application

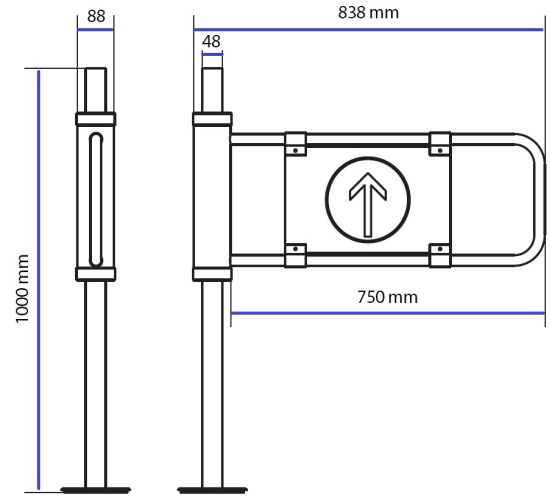
T 80 leaf turnstile can be installed in various interior locations, that do not need any controlled entrance and exit like markets, warehouses.

Basic Materials

T 80 is produced chrome-nickel plating on the body. Thanks to its spring system inside it, provides simple one-way control. It provides passage to right side or left side. Side rights can be changed easily from top of the T80 Leaf turnstile. Disabled, enter and stop signs can be applicated on the plexywing.

General Usage

T 80 works as one-way controlling. Any Access control reader can not connected to it as it has no mechanism inside it. It opens as pushing by hand in 90° width. After passage it closes itself as springs pushing wing.



Chrome- nickel plating body and door
Manual opening and automatical closing
One-way control
Sign on plexy door plate according to field of use (Disabled/ stop sign etc.)
Stylish design
10 kg
88x1000 mm